

Ref: 40.042

**Features:**

- Constant Voltage
- Non-dimmable
- Degree of protection: IP20
- Protection class II
- SELV



Input specifications	Power (W)	150W
	Voltage (V)	220V - 240V
	Range of AC input voltage	176-264V
	Range of DC input voltage	175-280V (EMI not evaluated)
	Frequency	rate: 50/60Hz, range: 47~63Hz
	Power factor	≥0.95, 220-240V (rated load, see graphs)
	THD	≤7%, 230V (rated load, see graphs)
	Standby power consumption	≤0.5W, 230V (no load)
	Inrush current I <sub>peak</sub>	<60A (duration time 185us) / 56A (duration time 185us) typ.
	Connected quantity of 16A breaker	8pcs, 16A type B / 13pcs 16A type C
	Output specifications	Output voltage
No load voltage		24V +5%
Output voltage ripple		<240m VPK-PK (0.5%)
Line regulation		±1%
Load regulation		±2%
PstLM		≤1
SVM		≤0.4
Overshoot		<105% Vo (<110% Vo, only for 30W)
Start-up time		≤0.5S (220-240V)
Hold-up time & turn off time (typical)		hold-up time(mS) 10 / turn-off time(mS) 384
Efficiency		hold-up time(mS) ≥91% / turn-off time(mS) 93% typ.
Degree of protection		IP20
Protection		Short circuit protection
	Over current protection	120%-180 %Io (auto recovery)
	Over voltage protection	110%-150% Vo (auto recovery)
	Over temperature protection	90 / Tc <110°C (auto recovery)
	Insulation voltage	I/P to O/P, 3KV / 5mA / 1min
	Insulation resistance	100M ohm / 500VDC
	Leakage current	I/P to O/P < 250μA
Environment	Operation temperature	-25°C / +45°C
	Storage Temperature	-40°C / +85°C
	Humidity	5% / 85%RH
	Atmosphere	86-108KPa
Other	Dimension	350x30x18mm
	Weight	0.31Kg
	Guarantee	5 years



Measurements:

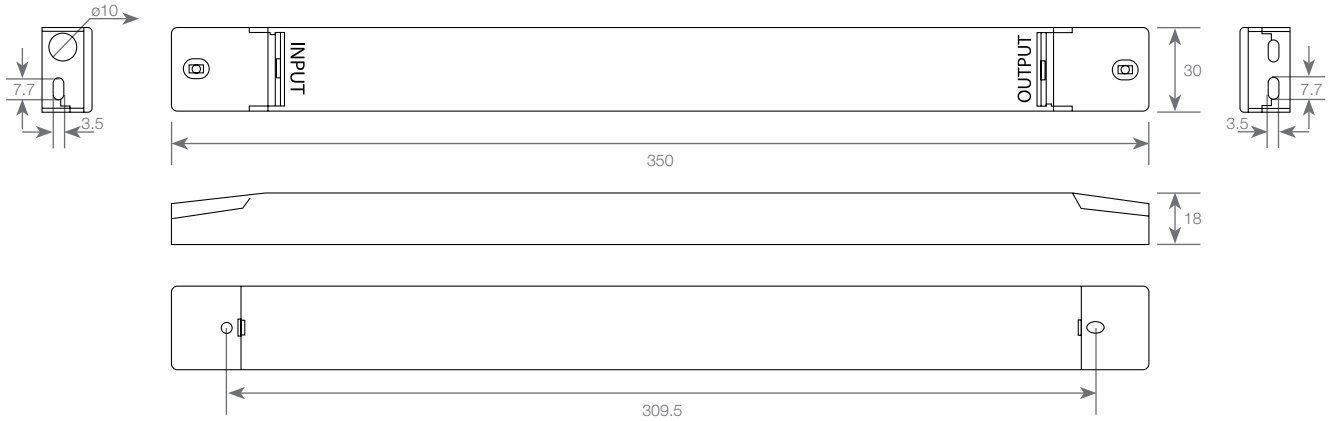
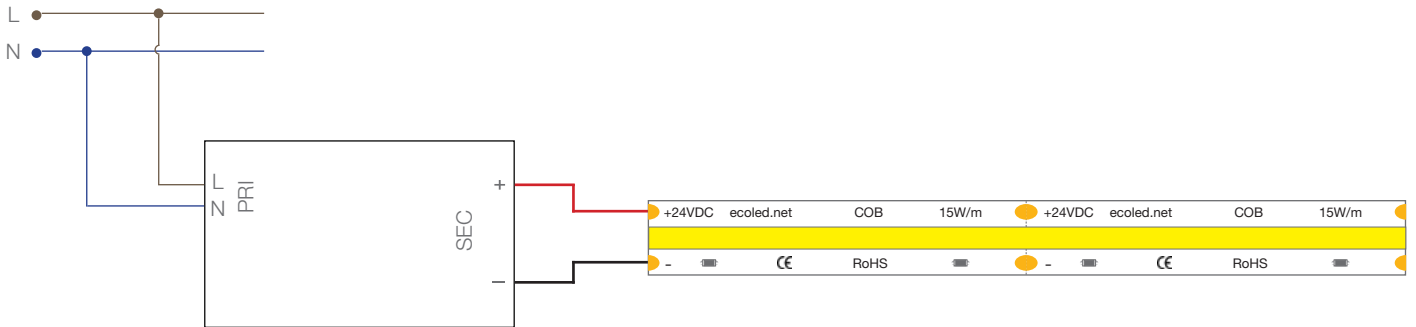
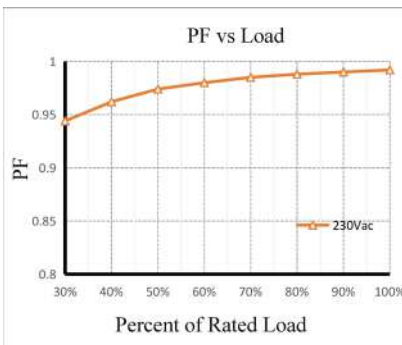


Diagram:

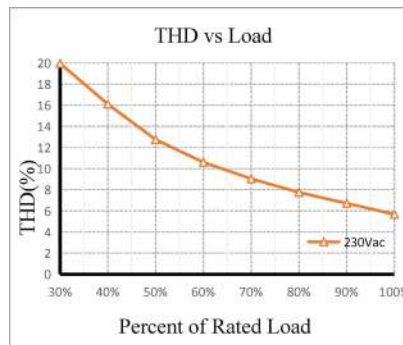


Graphics:

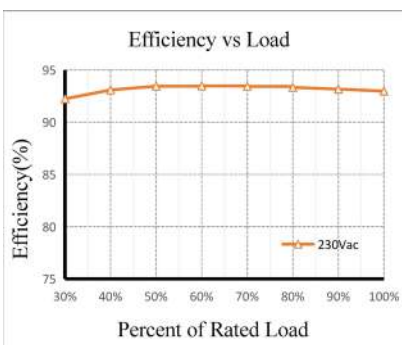
PF VS load curve



THD VS load curve



Efficiency VS load curve





## Standards

### Safety Standards:

- EN61347-2-13:2014/A1:2017
- EN62384:2006/A1:2009
- EN61347-1:2015
- AS61347.2.13:2018
- AS/NZS 61347.1:2016 Inc A1

### EMC Standards:

- EN IEC 55015:2019
- EN IEC 55015:2019/A11:2019
- EN IEC 61000-3-2:2019
- EN61547:2009
- EN 61000-3-3:2013/A1:2019

### Performance:

- EN62384

### Wiring instructions:

- All connections must be kept as short as possible to ensure good EMI behaviour.
- Mains leads should be kept apart from LED Driver and other leads (ideally 5 – 10 cm distance).
- Advice the maximum length of output wires is 3m.
- Secondary switching is not permitted (Except for constant voltage).
- Incorrect wiring can damage led modules.
- The wiring must be protected against short circuits to earth (sharp edged metals parts, metal cable clips, louver, etc.).